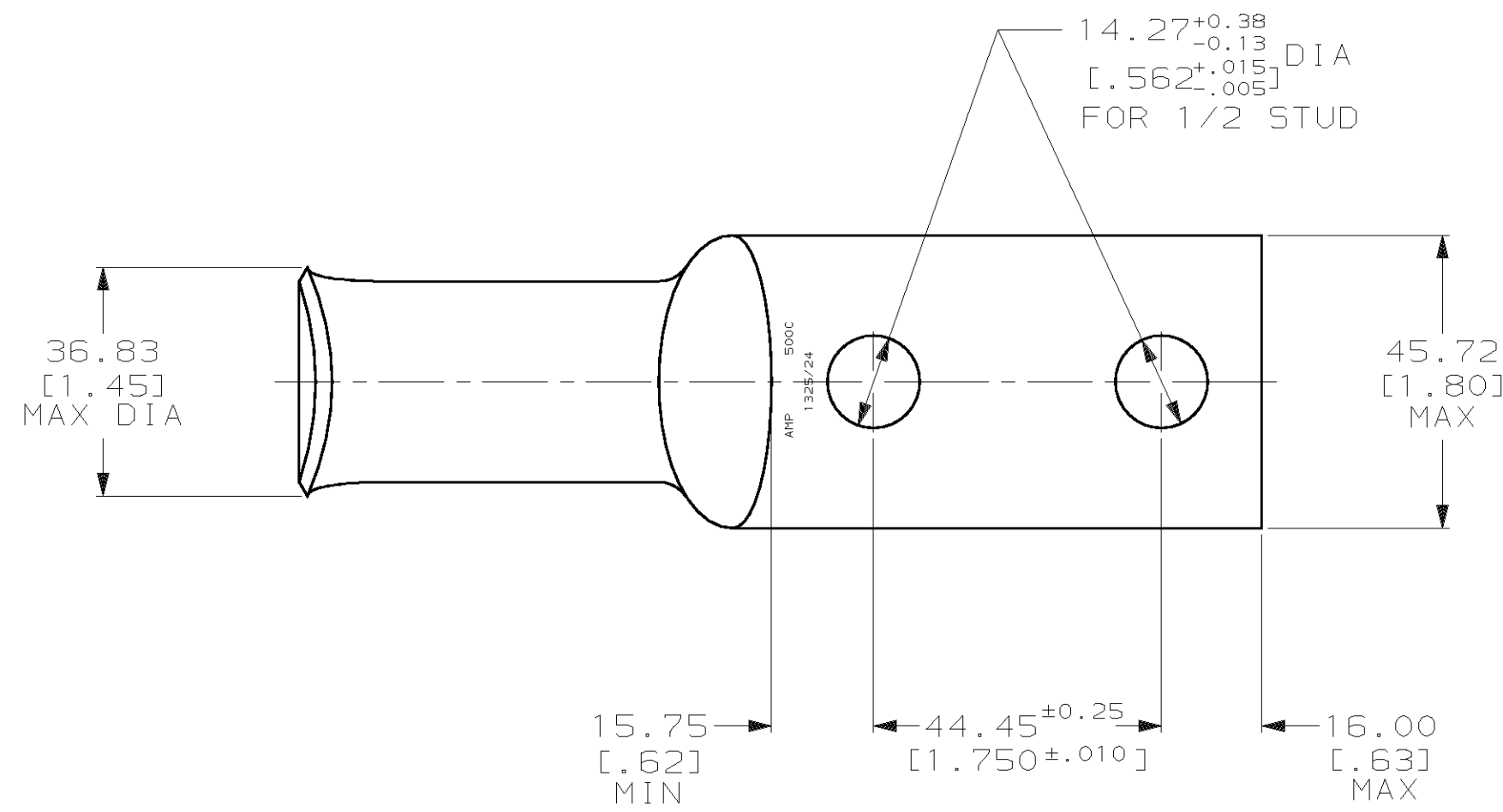
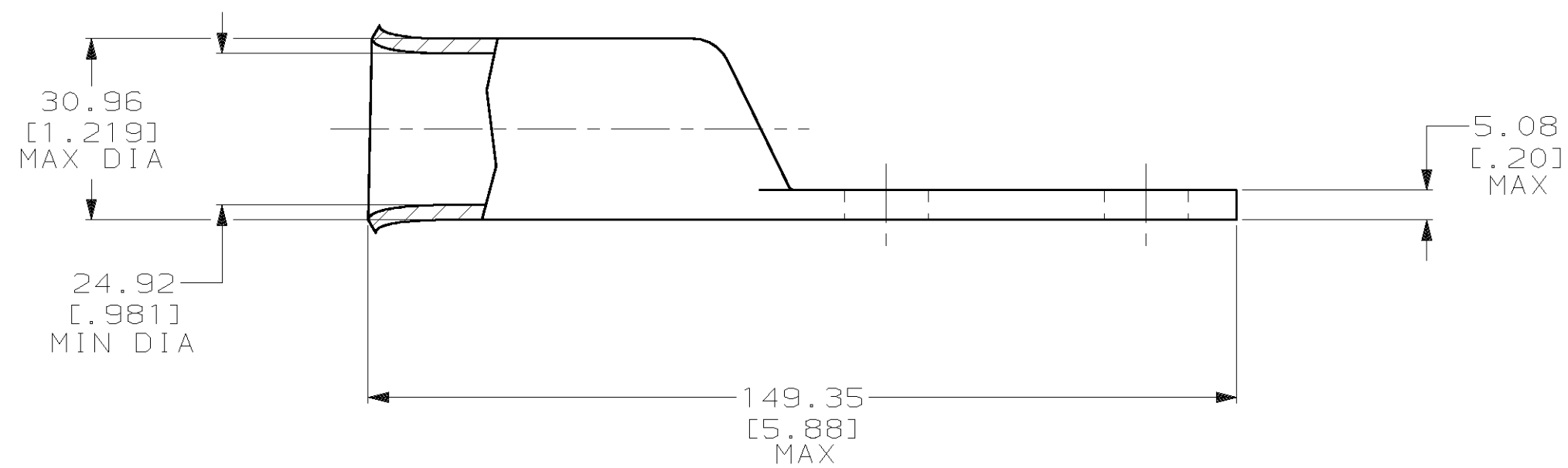


THIS DRAWING IS UNPUBLISHED. RELEASED FOR PUBLICATION ,19 .
 © COPYRIGHT 19 BY AMP INCORPORATED. ALL INTERNATIONAL RIGHTS RESERVED.

LOC		DIST		P		F		ZONE		LTR		REVISIONS		DATE	APPD
G		86								F		REV PER 0G3A-0561-01		030CT02	JR/MS



1 CIRCULAR MIL RANGE: 450-550 MCM
 2 TIN PL 0.00381 [0.000150] MIN THK PER MIL-T-10727



53642

53642-2
PART NO

DO NOT SCALE PRINT. UNLESS SPECIFIED DIMENSIONS IN mm [INCHES] TOLERANCES ON : 2 PLC DEC ± 0.51 [.020] 3 PLC DEC ± - ANGLES ± -		DR 02/28/90 DK SCHRUM		AMP INCORPORATED Harrisburg, Pa. 17105	
MATERIAL ANNEALED COPPER ASTM B-75		CHK 24JAN95 MS FEHER			
FINISH △		APPD 24JAN95 WJ VOCKROTH		NAME TERMINAL, AMPPOWER, WIRE SIZE: 500 MCM	
		APPD 24JAN95 TL SHUTTER		DRAWING NO 53642	
		PRODUCT SPEC 108-30200		CAGE CODE 00779	
		APPLICATION SPEC -		SCALE 1:1	
		WEIGHT .572 LB		SHEET 1 OF 1	

